

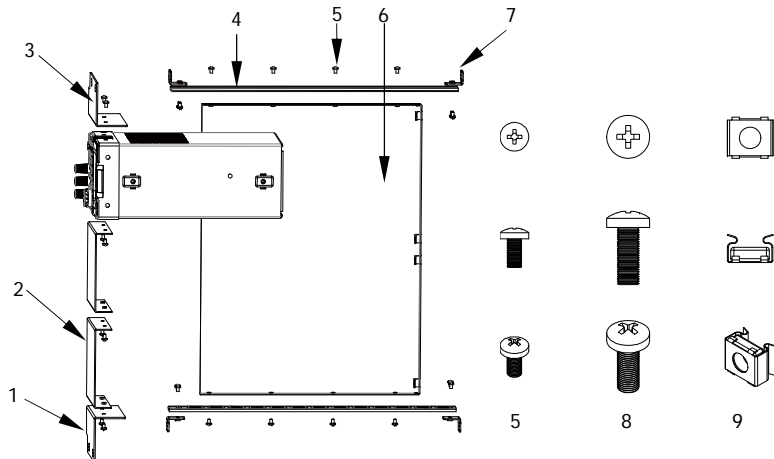
RIGOL

DP700 Rack Mount Kit RM-1-DP700

This rack mount kit (RM-1-DP700) is designed to mount a single **RIGOL** DP700 series programmable linear DC power supply into a 19-inch cabinet that conforms to the Electronic Industries Association (EIA) standard.

Kit Part Checklist (RM-1-DP700)

No.	Name	Qty.	Description
1	Right Fastener	1	--
2	Filler Panel	2	--
3	Left Fastener	1	--
4	Rail	2	--
5	M4 Screw	24	M4x8 Phillips Pan Head Screw
6	Bottom Plate	1	--
7	Side Beam Fastener	4	--
8	M6 Screw	12	M6x16 Phillips Pan Head Screw
9	M6 Nut	12	M6 Square Lock Cage Nut



Installation Tool

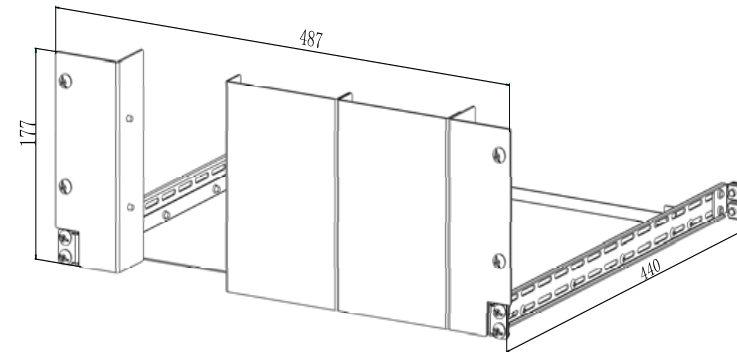
The PH2 Philips screwdriver is recommended.

Space Requirements

To mount the instrument into the cabinet correctly, please ensure that the following requirements are met.

- The cabinet must be a standard 19-inch one.
- The available height of the cabinet should be at least 4U.
- The depth of the cabinet should be at least 500 mm.

The dimensions of the rack are as shown below.



Unit: mm

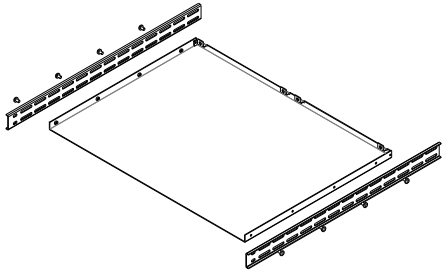
Installation Procedures



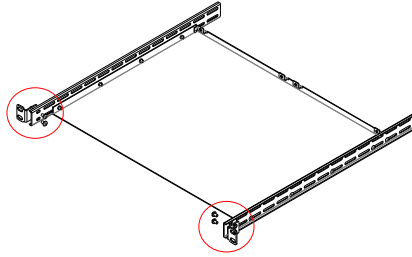
CAUTION

Only authorized operators are allowed to perform the installation. Improper installation might cause damage to the instrument or an installation failure.

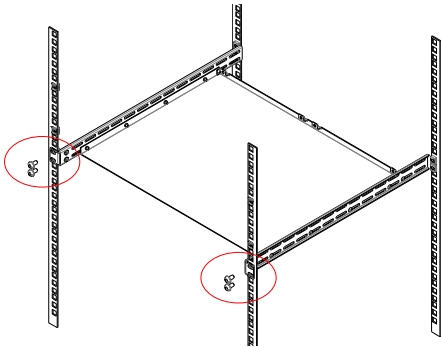
1. Remove the four rubber protective covers located at the corners of the front panel and the four ones at the corners of the rear panel of the instrument respectively.
2. Attach two rails (with the U-channel facing outward) to both sides of the bottom plate, and then fasten them with eight M4 screws.



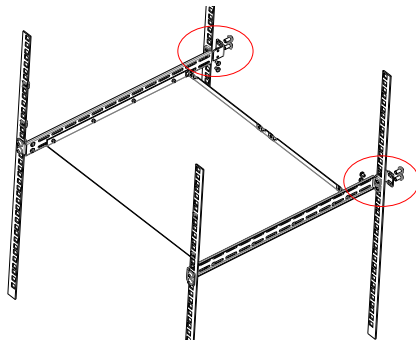
3. Attach two side beam fasteners to the front ends of each rail, as shown in the figure below, and then secure them with four M4 screws.



4. Secure the side beam fasteners to the cabinet by using four M6 screws and four M6 nuts.

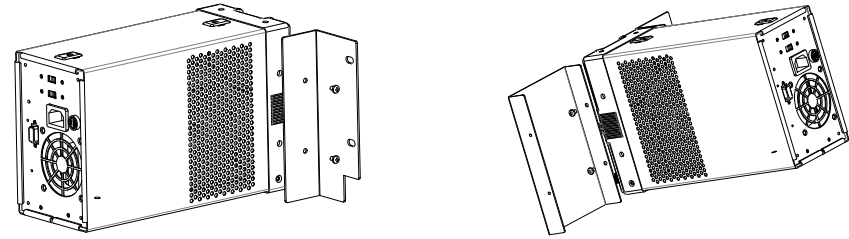


5. Attach another two side beam fasteners to the back ends of each rail respectively, as shown in the figure below, and then secure them with four M4 screws. Use four M6 screws and four M6 nuts to secure the side beam fasteners to the cabinet.

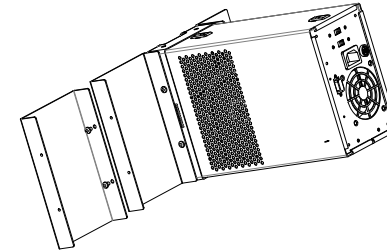


6. Attach the left fastener to the left side of the instrument, and secure it with two M4 screws.

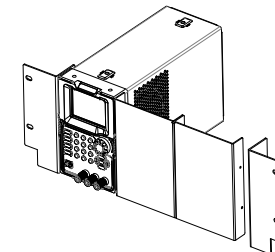
7. Attach one filler panel to the right side of the instrument, and secure it with two M4 screws.



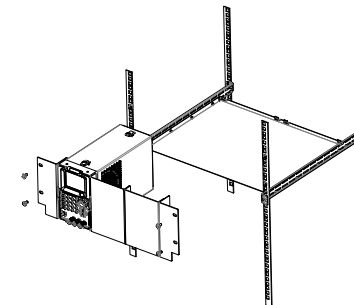
8. Attach another filler panel to the right side of the first installed filler panel, and secure it with two M4 screws.



9. Attach the right fastener to the right side of the second filler panel, and secure it with two M4 screws.



10. Place the assembled instrument and rack onto the bottom plate. Then, secure the left and right fasteners to the cabinet with four M6 screws and four M6 nuts.



-End-